



# Quality Armature, Inc.

5259 W. Grand Ave.  
Chicago, IL 60639

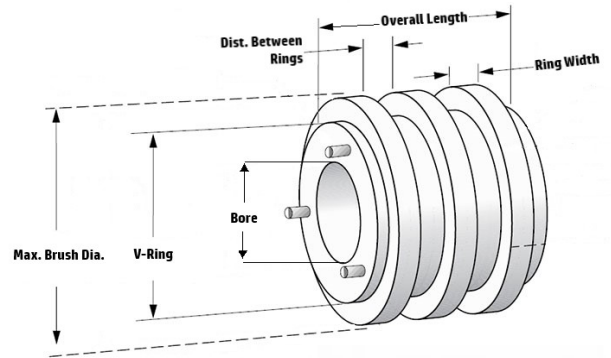
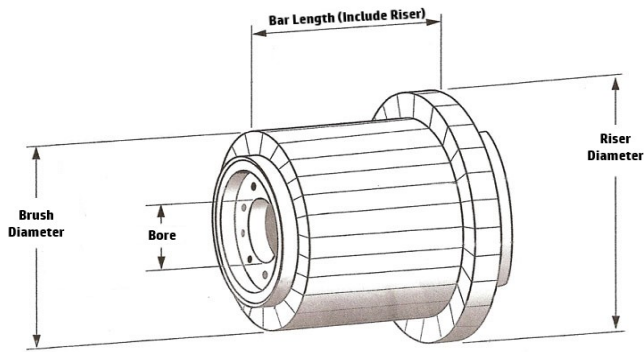
Tel: (773) 622-3951  
Fax: (773) 622-3952

Website: [www.Qualityarmature.com](http://www.Qualityarmature.com)  
E-mail: [qualityarmature@sbcglobal.net](mailto:qualityarmature@sbcglobal.net)



## COMMUTATORS QUOTATION FORM

|              |       |              |        |
|--------------|-------|--------------|--------|
| Company Name |       | Contact Name |        |
| Address      |       |              | Date   |
| City         | State |              | Zip    |
| Phone #      | Fax # | Job #        | P.O. # |



| TYPE                    | HOOK / SLOTTED / SLIP RING | CLOSEST DIMENSIONS AVAILABLE<br>(For Quality's Use Only) |
|-------------------------|----------------------------|--|
| QUANTITY                |                            |  |
| # OF BARS / # OF RINGS  |                            |  |
| BORE (I.D)              |                            |  |
| BRUSH DIAMETER          |                            |  |
| RISER DIAMETER          |                            |  |
| BAR LENGTH (WITH RISER) |                            |  |
| RING THICKNESS          |                            |  |
| SPACE BETWEEN RINGS     |                            |  |
| PRICE:                  |                            |  |